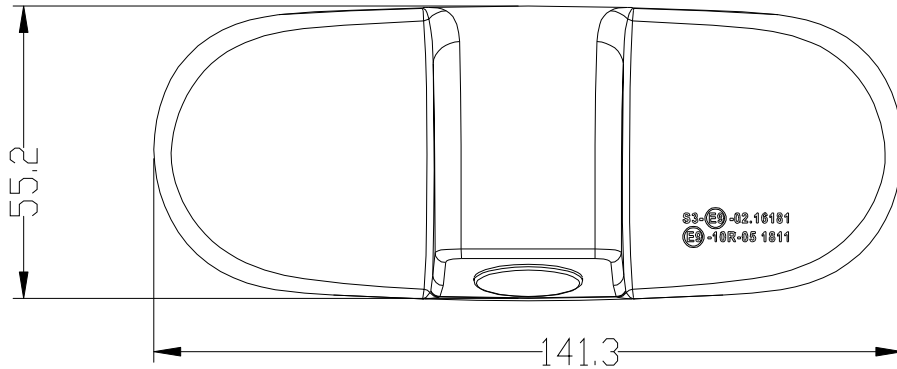


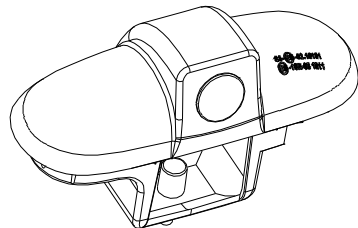
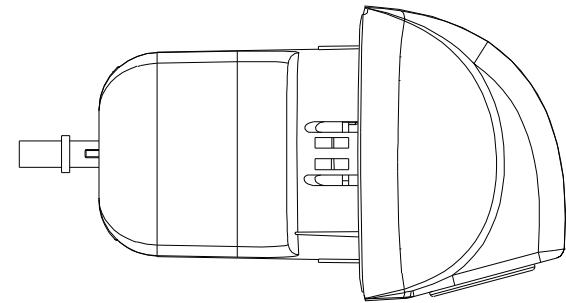
88.1



55.2

141.3

S3-02-10101
10R-05 1811



| | | | | |
|--------------|---------------|----------|------------|----------------|
| | NAME | DATE | | |
| DRAWN BY: | ZHONGHUA DUAN | 01/02/18 | | |
| APPROVED BY: | HUIBO GONG | 01/02/18 | | |
| Third Angle | | | PROJECT: | BR-RVC23尺寸图 |
| | | | DWG. NO. : | VO. 1 |
| Unit:mm | | | SCALE: 1:1 | DATE: 01/02/18 |